

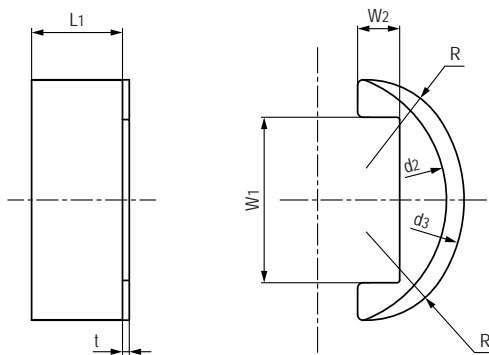
QBF1单法兰光伏支架轴承 PV Support bracket bearings



产品特性 Product features

- 单法兰设计塑料轴承
 - 户外耐紫外线老化
 - 耐高低温湿热老化
 - 低摩擦，耐磨损
 - 自润滑、免维护
 - 高强度、易安装
- Single flange design plastic bearings
 - UV resistance
 - High and low temperature, damp-heat aging
 - Low friction, wear resistance
 - Self lubricating, maintenance-free
 - High strength, easy installation

标准规格 Standard specifications



产品编码 Part No.:

QBF1-090157-090

长度 Length
 外径 Outer diameter
 内宽 Inner width

产品编码 Part No.	W1 [mm]	d2 [mm]	d3 [mm]	L1 [mm]	t [mm]	W2 [mm]	R [mm]
QBF1-090157-090	91	157	174	90	6	24	/
QBF1-140210-065	142	210	234	67	5	36	65
QBF1-150226-065	151	226	250	65	5	55	90